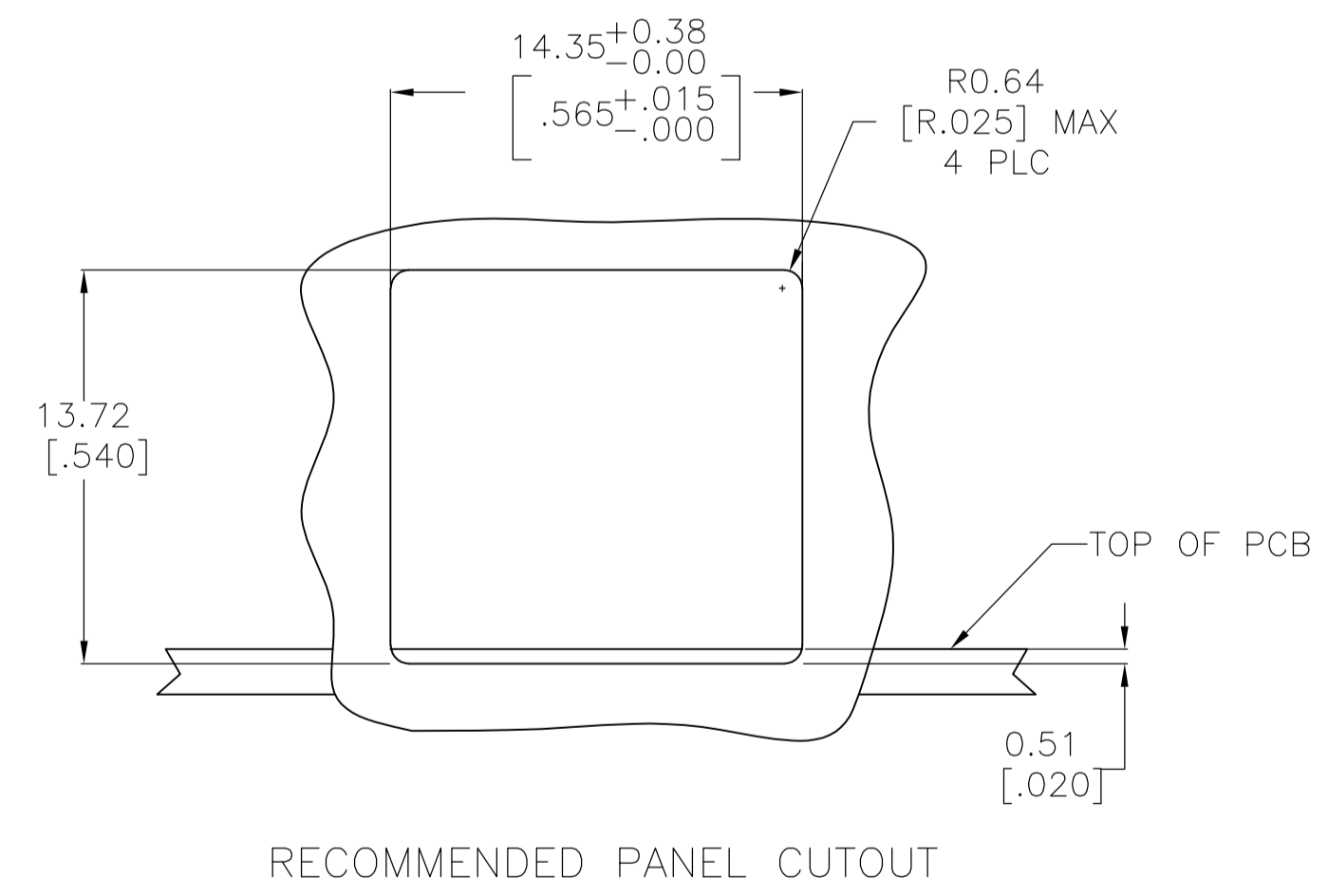
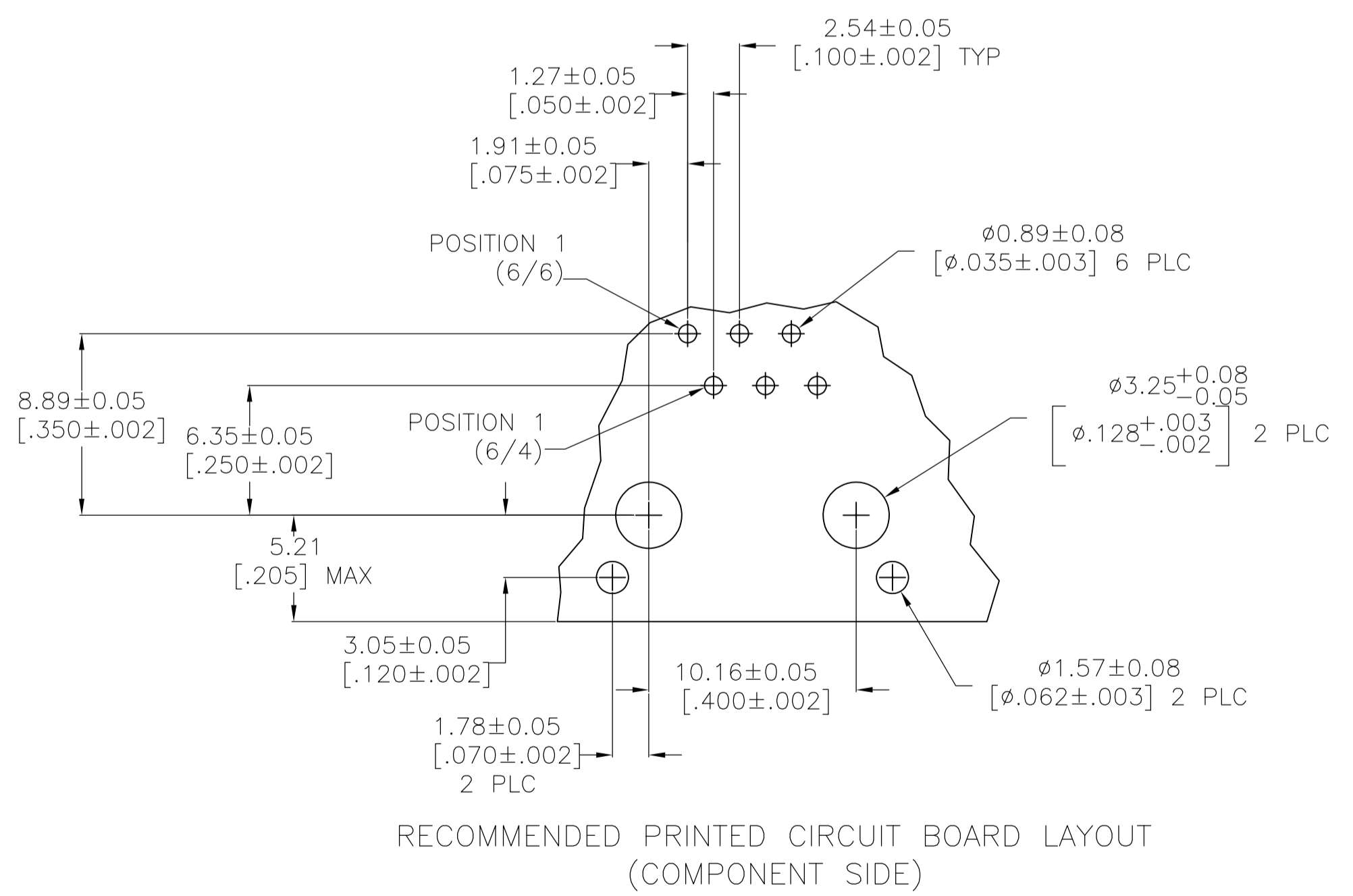


- MATERIAL: HOUSING - PBT POLYESTER, COLOR: BLACK.  
 TERMINAL - 0.36[.014] THICK PHOS-BRONZE PLATED WITH 1.27um[.000050] MINIMUM THICK HARD GOLD IN LOCALIZED GOLD PLATE AREA AND 3.81um[.000150] THICK MATTE TIN IN SOLDER AREA OVER 1.27um[.000050] MINIMUM THICK NICKEL UNDERPLATE.  
 SHIELD - 0.25[.010] THICK COPPER ALLOY PLATED WITH 3.0um[.000120] MINIMUM REFLOWED TIN
- CAVITY CONFORMS TO FCC RULES AND REGULATIONS PART 68, SUBPART F.
- DIMENSIONS MEASURED ALONG FRONT EDGES OF MATING FACE
- TERMINALS FOR 5555140-2 LOCATED IN CENTER POSITIONS.



TUBE	3.81±0.51 [.150±.020]	6	5555140-6
TRAY	2.54±0.25 [.100±.010]	6	5555140-4
	3.81±0.51 [.150±.020]	4	5555140-2
	3.81±0.51 [.150±.020]	6	5555140-1
PACKAGING	DIMENSION Z	TERMINALS REQUIRED	PART NUMBER

THIS DRAWING IS A CONTROLLED DOCUMENT.		DIN L.A.MAYER 08NOV2007		TE Connectivity																													
DIMENSIONS: mm [INCHES]		TOLERANCES UNLESS OTHERWISE SPECIFIED:																															
<table border="1"> <tr><td>0 PLC</td><td>± -</td></tr> <tr><td>1 PLC</td><td>± -</td></tr> <tr><td>2 PLC</td><td>± 0.13[.005]</td></tr> <tr><td>3 PLC</td><td>± -</td></tr> <tr><td>4 PLC</td><td>± -</td></tr> <tr><td>ANGLES</td><td>± -</td></tr> </table>		0 PLC	± -	1 PLC	± -	2 PLC	± 0.13[.005]	3 PLC	± -	4 PLC	± -	ANGLES	± -	<table border="1"> <tr><td>APVD</td><td>S.FLICKINGER 08NOV07</td></tr> <tr><td>NAME</td><td>MODULAR JACK ASSEMBLY, SHIELDED, 6POSITION, LOW PROFILE, RIGHT ANGLE, PANEL GROUND WITH PANEL STOPS</td></tr> <tr><td>PRODUCT SPEC</td><td>108-1163</td></tr> <tr><td>APPLICATION SPEC</td><td>114-2048</td></tr> </table>		APVD	S.FLICKINGER 08NOV07	NAME	MODULAR JACK ASSEMBLY, SHIELDED, 6POSITION, LOW PROFILE, RIGHT ANGLE, PANEL GROUND WITH PANEL STOPS	PRODUCT SPEC	108-1163	APPLICATION SPEC	114-2048	<table border="1"> <tr><td>SIZE</td><td>CAGE CODE</td><td>DRAWING NO</td><td>RESTRICTED TO</td></tr> <tr><td>A1</td><td>00779</td><td>5555140</td><td>-</td></tr> </table>		SIZE	CAGE CODE	DRAWING NO	RESTRICTED TO	A1	00779	5555140	-
0 PLC	± -																																
1 PLC	± -																																
2 PLC	± 0.13[.005]																																
3 PLC	± -																																
4 PLC	± -																																
ANGLES	± -																																
APVD	S.FLICKINGER 08NOV07																																
NAME	MODULAR JACK ASSEMBLY, SHIELDED, 6POSITION, LOW PROFILE, RIGHT ANGLE, PANEL GROUND WITH PANEL STOPS																																
PRODUCT SPEC	108-1163																																
APPLICATION SPEC	114-2048																																
SIZE	CAGE CODE	DRAWING NO	RESTRICTED TO																														
A1	00779	5555140	-																														
MATERIAL SEE NOTE 1		FINISH SEE NOTE 1		CUSTOMER DRAWING																													
		SCALE 4:1		SHEET 1 OF 1																													